

nemonic:

LABEL

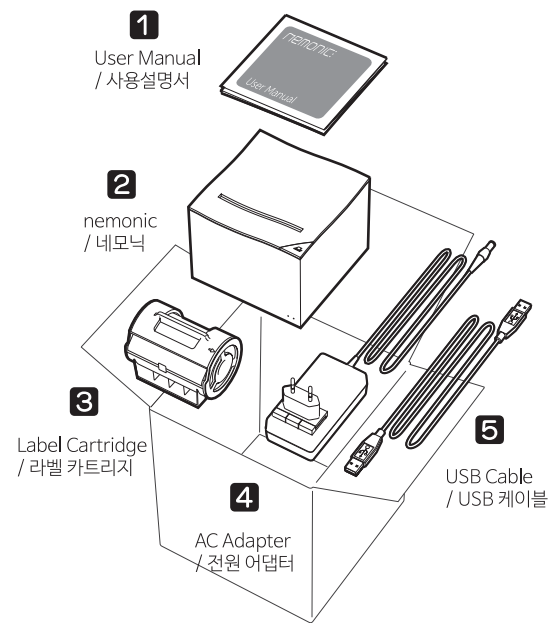
MIP-001L
Label & Sticky Note Printer
라벨 및 점착식 메모 프린터

User Manual 사용설명서

MANGOSLAB

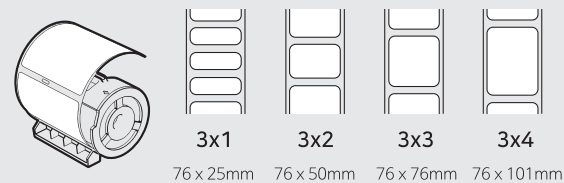
www.mangoslab.com

UNPACKING / 제품구성

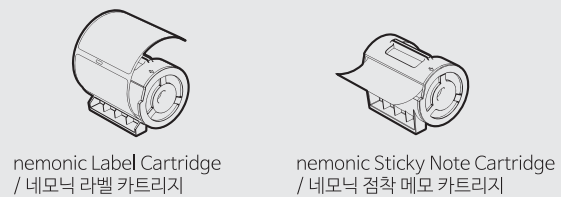


LABEL CARTRIDGE / 라벨 카트리지

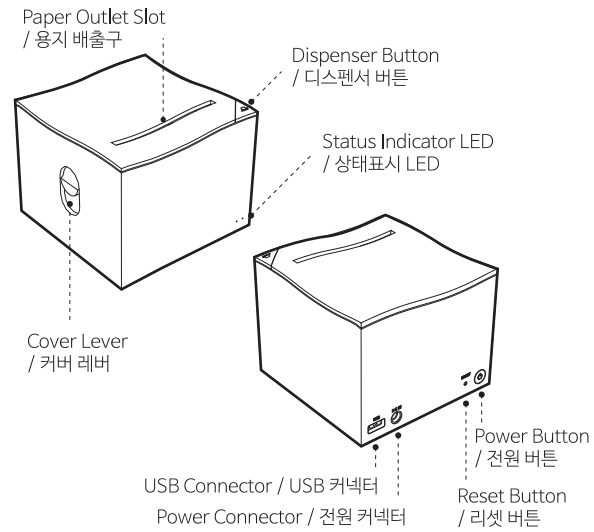
Various labels are available to purchase.
다양한 크기의 라벨을 구입하실 수 있습니다.



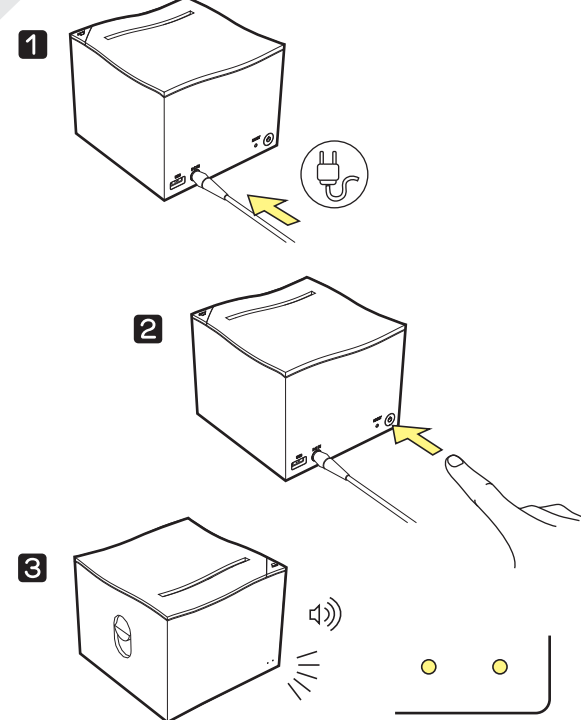
Both nemonic Label and Sticky note cartridges can be usable.
/ nemonic 전용 Label Cartridge 및 Sticky Note Cartridge를 모두
사용하실 수 있습니다.



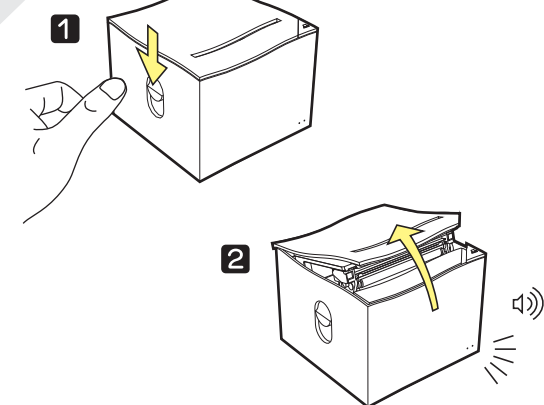
0 GENERAL DESCRIPTION / 각부 명칭



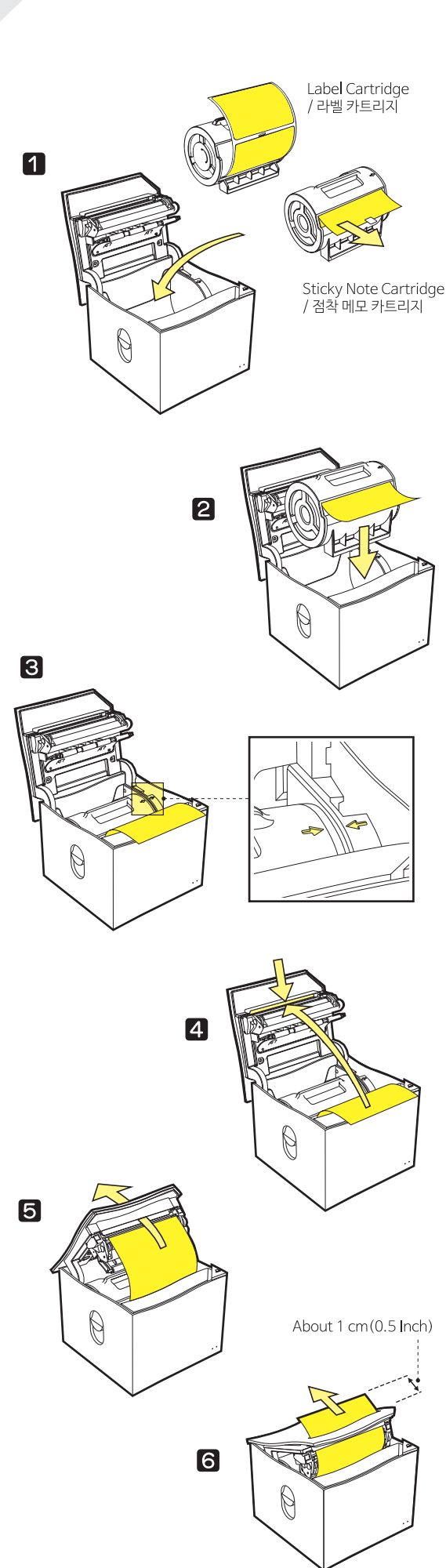
1 POWER ON / 전원연결



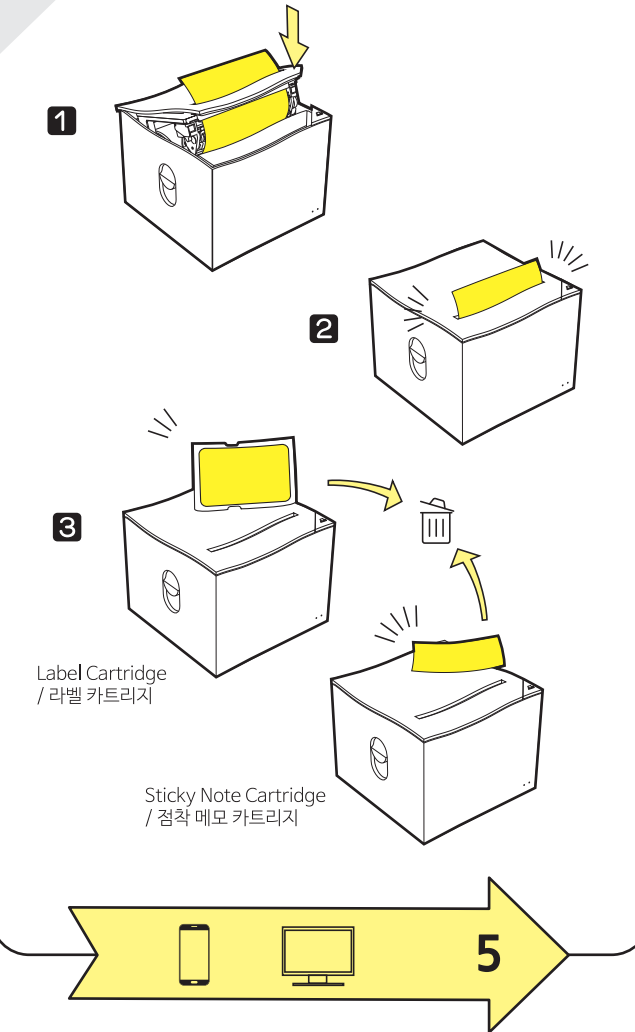
2 OPEN / 커버 열기



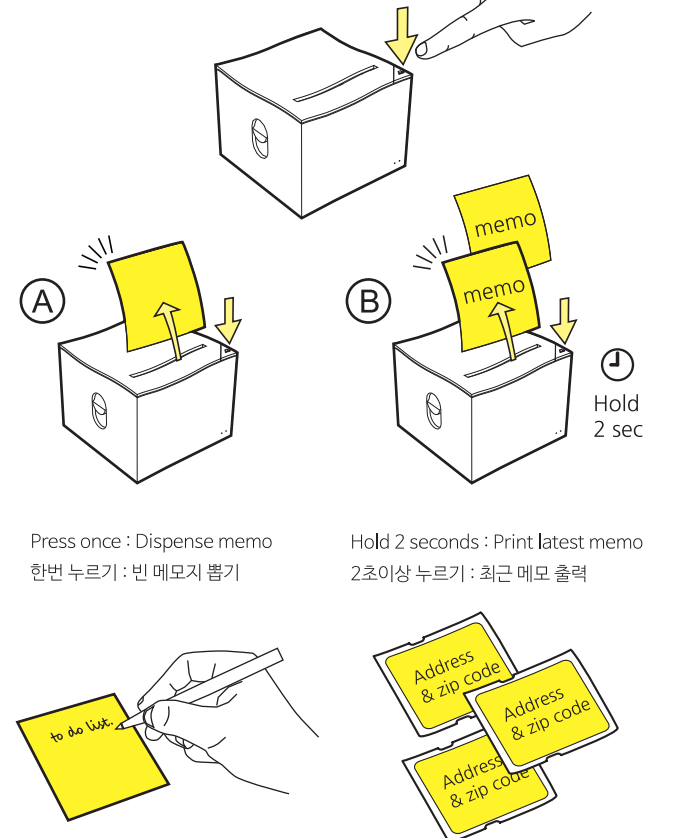
3 PREPARE PAPER / 용지 준비



4 AUTO CUTTER / 자동 커팅

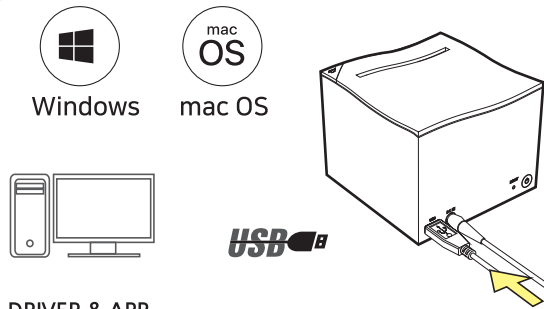


- DISPENSER BUTTON
- 디스펜서 버튼



5^A

PC APP / PC 앱



DRIVER & APP

Download nemonic Printer Driver & PC App & Templates :
네모닉 프린터 드라이버 및 PC 앱, 템플릿 다운로드 :
www.nemonic.me/download

For more information, please visit :
상세 정보가 필요하시면 홈페이지를 방문하세요.:
www.nemonic.me

nemonic app supports

Android 5.0(Lollipop) and later / iOS 9.0 and later(iPhone 5 and later)
/ Windows 7 and later / Mac OS 10.9 and later

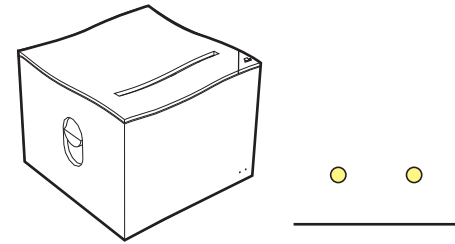
nemonic compatible iOS model list

iPhone XS, iPhone XS Max, iPhone X, iPhone XR, iPhone 8, iPhone 8 Plus,
iPhone 7, iPhone 7 Plus, iPhone 6s, iPhone 6s Plus, iPhone 6, iPhone 6 Plus,
iPhone 5s, iPhone 5c, iPhone 5, iPhone SE,
iPad Pro (12.9-inch), iPad Pro (11-inch), iPad Pro (10.5-inch),
iPad Pro (9.7-inch), iPad Air 2, iPad Air, iPad mini 4, iPad mini 3, iPad mini 2,
iPad mini, iPad (4th generation)

!

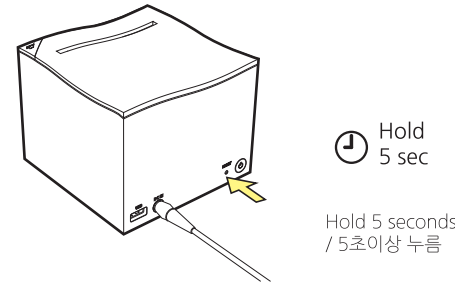
FACTORY RESET / 공장 초기화

1



Power on / 전원 켜

2

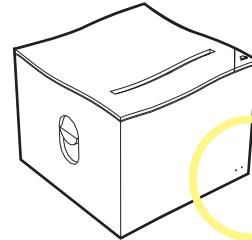


Hold 5 sec

Hold 5 seconds / 5초이상 누름



STATUS INDICATOR LED INFORMATION / 상태표시 LED 정보



- : On / 항상켜짐
- ☀ : Flashing / 깜박임

Paper color information / 용지컬러 표시

W W/Y/P/B/G



| W | Y | P | B | G |
|-------|--------|------|------|-------|
| White | Yellow | Pink | Blue | Green |



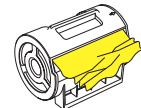
Ready to print / 출력 대기 상태



Bluetooth / 블루투스 통신



Paper Jam / 용지 걸림



☀ 🔊 x3

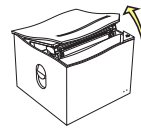
No Paper / 용지 없음

☀ 🔊 x2



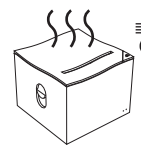
Cover Open / 커버 열림

🔊 x2 ☀



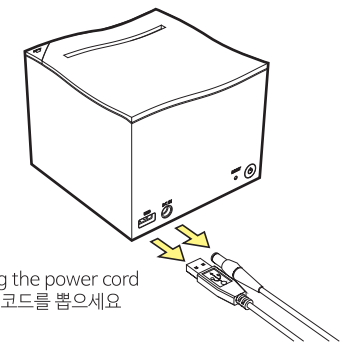
Printer Head Overheated / 프린터 과열

☀ ⌚ 1~3min



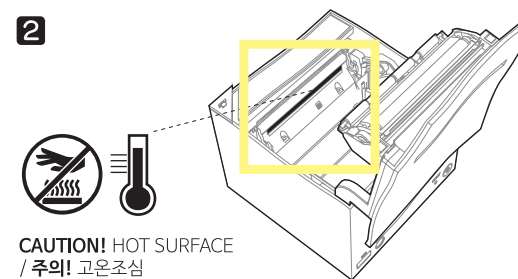
MAINTENANCE & CLEANING / 관리 및 청소

1



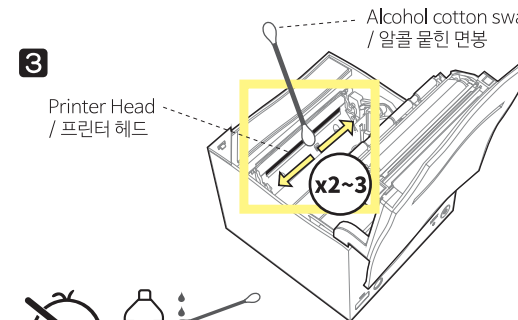
CAUTION! : Turn off and unplug the power cord / 주의! 전원을 끄고 코드를 뽑으세요

2



CAUTION! HOT SURFACE / 주의! 고온조심

3



Printer Head / 프린터 헤드
Ethyl alcohol / 에틸 알콜

5^B

MOBILE APP / 모바일 앱

ANDROID APP

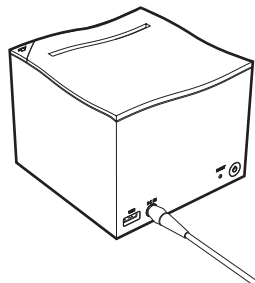
iOS APP



Search & Download :
'nemonic' or 'mangoslab' app
검색 및 다운로드 :
'nemonic' 또는 'mangoslab' app



Bluetooth on / 블루투스 켜기



nemonic Print Service Plugin app (Android only)

If you download and install 'nemonic Print Service Plugin' from Google Play Store, you can print directly from apps that support 'Print' option.

구글 플레이스토어에서 '네모닉 프린트 서비스 플러그인'을 다운받아 설치하시면 인쇄 기능을 지원하는 다른 앱에서도 출력이 가능합니다.

For more information, please visit :
상세 정보가 필요하시면 홈페이지를 방문하세요.:
www.nemonic.me

Specifications

| | |
|---------------------------|--|
| Method | Direct Thermal Printing |
| Printing Width/Resolution | 72mm/203dpi (576 dots) |
| Paper | nemonic Thermal Paper |
| Connectivity | USB 2.0, Bluetooth v4.1 (Frequency range : 2.40~2.48GHz) |
| Power | Input : AC100~240V, 50~60Hz, 2.0A Output : 24V = 2.0A (DC Symbol : =) |
| Weight | 530g |
| Operating Temperature | 5~45 ° C (30~80% Humidity) / TMA : 45 ° C |
| FVIN | v1.26 |

Product certifications and Customer service information

| | |
|--------------|--|
| 인증받은자의 상호 | 망고슬라브 주식회사 |
| 기자재의 명칭(모델명) | 특정소출력 무선기기 (무선데이터통신시스템용 무선기기) MSIP-CMM-MGJ-MIP-001 |
| 인증번호 | 별도표시 |
| 제조년월 | 망고슬라브 주식회사/한국 |
| 제조사/제조국가 | 1577-6670 |
| 고객센터 | |

해당 무선설비는 운용 중 전파 혼신 가능성이 있으므로 인명안전과 관련된 서비스는 할 수 없습니다. 이 기기는 가정용 (B급) 전자파적합기기로서 주로 가정에서 사용하는 것을 목적으로 하며, 모든 지역에서 사용할 수 있습니다.

| | |
|----------------------------|---|
| Product title (Model name) | Wireless data communications system wireless device (MIP-001) |
| Manufacturer/Country | MANGOSLAB Co., Ltd. / Korea |

- Android is a trademark of Google Inc.
- Microsoft, Windows and Windows Vista are trademarks/registered trademarks of Microsoft Corporation in USA and other countries.
- Bluetooth® Watermark and Logo is a registered trademark of Bluetooth SIG, Inc., MANGOSLAB Co., Ltd. indicates the logo and trademark under its corporations permission.
- iPhone, iPad are trademarks of Apple Inc. in USA and other countries.

- FCC Information to User
This equipment has been tested and found to comply with the limits for a Class B digital device, pursuant to Part 15 of the FCC Rules. These limits are designed to provide reasonable protection against harmful interference in a residential installation. This equipment generates, uses and can radiate radio frequency energy and, if not installed and used in accordance with the instructions, may cause harmful interference to radio communications. However, there is no guarantee that interference will not occur in a particular installation. If this equipment does cause harmful interference to radio or television reception, which can be determined by turning the equipment off and on, the user is encouraged to try to correct the interference by one of the following measures:
· Reorient or relocate the receiving antenna.
· Increase the separation between the equipment and receiver.
· Connect the equipment into an outlet on a circuit different from that to which the receiver is connected.
· Consult the dealer or an experienced radio/TV technician for help.

Caution
THE GRANTEE IS NOT RESPONSIBLE FOR ANY CHANGES OR MODIFICATIONS NOT EXPRESSLY APPROVED BY THE PARTY RESPONSIBLE FOR COMPLIANCE. SUCH MODIFICATIONS COULD VOID THE USER'S AUTHORITY TO OPERATE THE EQUIPMENT.

IMPORTANT NOTE : FCC RF Radiation Exposure Statement
This equipment complies with FCC RF radiation exposure limits set forth for an uncontrolled environment. This equipment should be installed and operated with a minimum distance of 20 centimeters between the radiator and your body. This transmitter must not be co-located or operating in conjunction with any other antenna or transmitter.

- This device complies with part 15 of the FCC Rules. Operation is subject to the following two conditions:
(1) This device may not cause harmful interference, and
(2) This device must accept any interference received, including interference that may cause undesired operation.

- IC Information to User
This device complies with Industry Canada's licence-exempt RSSs. Operation is subject to the following two conditions:
(1) This device may not cause interference; and (2) This device must accept any interference, including interference that may cause undesired operation of the device
Le présent appareil est conforme aux CNR d'Industrie Canada applicables aux appareils radio exempts de licence.
L'exploitation est autorisée aux deux conditions suivantes :
(1) l'appareil ne doit pas produire de brouillage, et (2) l'utilisateur de l'appareil doit accepter tout brouillage radioélectrique subi, même si le brouillage est susceptible d'en compromettre le fonctionnement.

- This equipment may be operated in GB, FR, DE, IT, ES, PL, RO, NL, BE, GR, PT, CZ, HU, SE, AT, BG, DK, FI, SK, IE, LT, HR, LV, SI, LU, EE, CY, MT

- 声明: 此为B级产品, 在生活环境中, 该产品可能会造成无线电干扰. 这种情况下, 可能需要用对其干扰采取切实可行的措施. 仅适用于非热带气候条件.

고객센터 : 1577-6670
Product inquiry or Customer service:
MANGOSLAB Co., Ltd. (www.mangoslab.com)
support@mangoslab.com